

DC FAN

25x25x10mm(0.98"x0.98"x0.39")



General Specification:

Frame:PBT(Black)UL94V-0

Impeller:PBT(Black)UL94V-0

Operating Temperature:-10°C~70°C

Motor Protection:

Auto Restart or Polarity Protection

Insulation Resistance:

20MΩ or over with a DC500V Megger

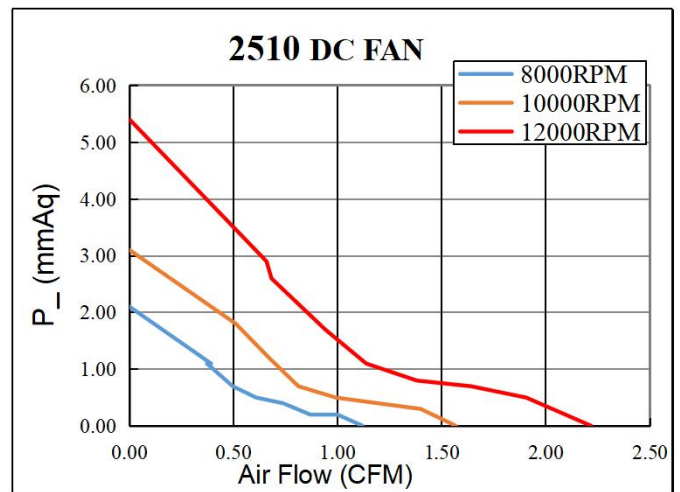
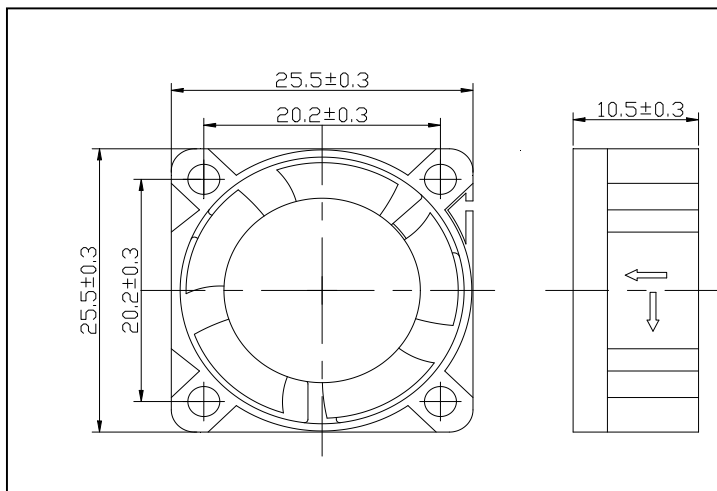
Dielectric Withstand Voltage:

AC500V 1s

Bearing Type:

Sleeve Bearing or Ball bearing

Model No.	Bearing Type	Voltage (V)	Speed Type	Speed (RPM)	Current (A)	AirFlow (CFM)	Pressure (mmAq)	Noise (dBA)	Weight (g)
D02510	S/D	5	H	12000	0.17	1.85	4.80	28	8
			M	10000	0.14	1.55	3.00	24	
			L	8000	0.09	1.07	2.00	19	
		12	H	12000	0.09	1.85	4.80	28	
			M	10000	0.07	1.55	3.00	24	
			L	8000	0.05	1.07	2.00	19	
		24	H	12000	0.06	1.85	4.80	28	
			M	10000	0.05	1.55	3.00	24	
			L	8000	0.05	1.07	2.00	19	



- © All reading are typical values at rated voltage.
- © Parameters can be set according to customer requirements.
- © Specification are subject to change without notice.